



AURORA
LIGHTING TOWERS

AURORA LIGHTING TOWERS
Brand of Green Power Systems srl
Loc. Maiano sn 61028
Sassocorvaro Auditore (PU)
Italia
MADE IN ITALY

P + 39 0722 726411
F + 39 0722 720092
W www.auroralightingtowers.it
E info@auroralightingtowers.it
W www.eptagruppo.com

SCHEDA TECNICA - TECHNICAL DATA SHEET - FICHE TECHNIQUE

ZETA series



Multiled



7 mt. Max Height



Manual Lifting



Light Sensor



359° Rotation



Mast Emergency Brake



**NO CO2
Emissions**



**NO Noise
Emissions**



PRESTAZIONI – FEATURE – PERFORMANCE

Fari	Floodlights	Projecteurs	4 x 75W	4 x 160W	4 x 320W
Area illuminata	Lighting area	Surface éclairée	2000 mq	2800 mq	4300 mq
Lumen	Lumen	Lumen	36900	81400	166200
Tensione	Voltage	Voltage	230V		
Frequenza	Frequency	Fréquence	50Hz		
Temperatura di funzionamento	Operating temperature	Température de fonctionnement	-30°/ 50° C		
Consumo di energia	Energy consumption	Consommation d'énergie	1,3 KW		
Crepuscolare	Light sensor	Capteur de luminosité	STD		

PALO – MAST – MÂT

Altezza massima	Max height	Hauteur max	7 m
Sollevamento	Lifting	Levage	Manuale – Manual - Manuel
Sezioni del palo	Tower Section	Extensions	4
Rotazione	Turning angle	Rotation	359°
Resistenza massima al vento	Max wind rating	Résistance au vente	100 Km/h

COFANATURA – CANOPY – CAPOT

Stabilizzatori manuali	Manual stabilizer	Stabilizateurs manuel	4
Ganci di sollevamento	Lifting points	Anneaux de levage	4
Guide passaggio forche	Forklift pockets frame	Chassis avec passage des fourches	STD
Kit carrello	Handles and wheels	Chariot	STD

DIMENSIONI E PESO - DIMENSIONS AND WEIGHT - DIMENSIONS ET POIDS

Dimensioni min	Min dimension	Dimensions min	940x797x2118 mm
Dimensioni max	Max dimension	Dimensions max	1809x1666x7000 mm
Peso	Weight	Poids	235 kg



Fino a 6 unità possono essere collegate in serie ad una singola fonte di energia

Up to 6 units can be connected in series to a single power source

Jusqu'à 6 unités peuvent être mises en série sur une unique source d'énergie



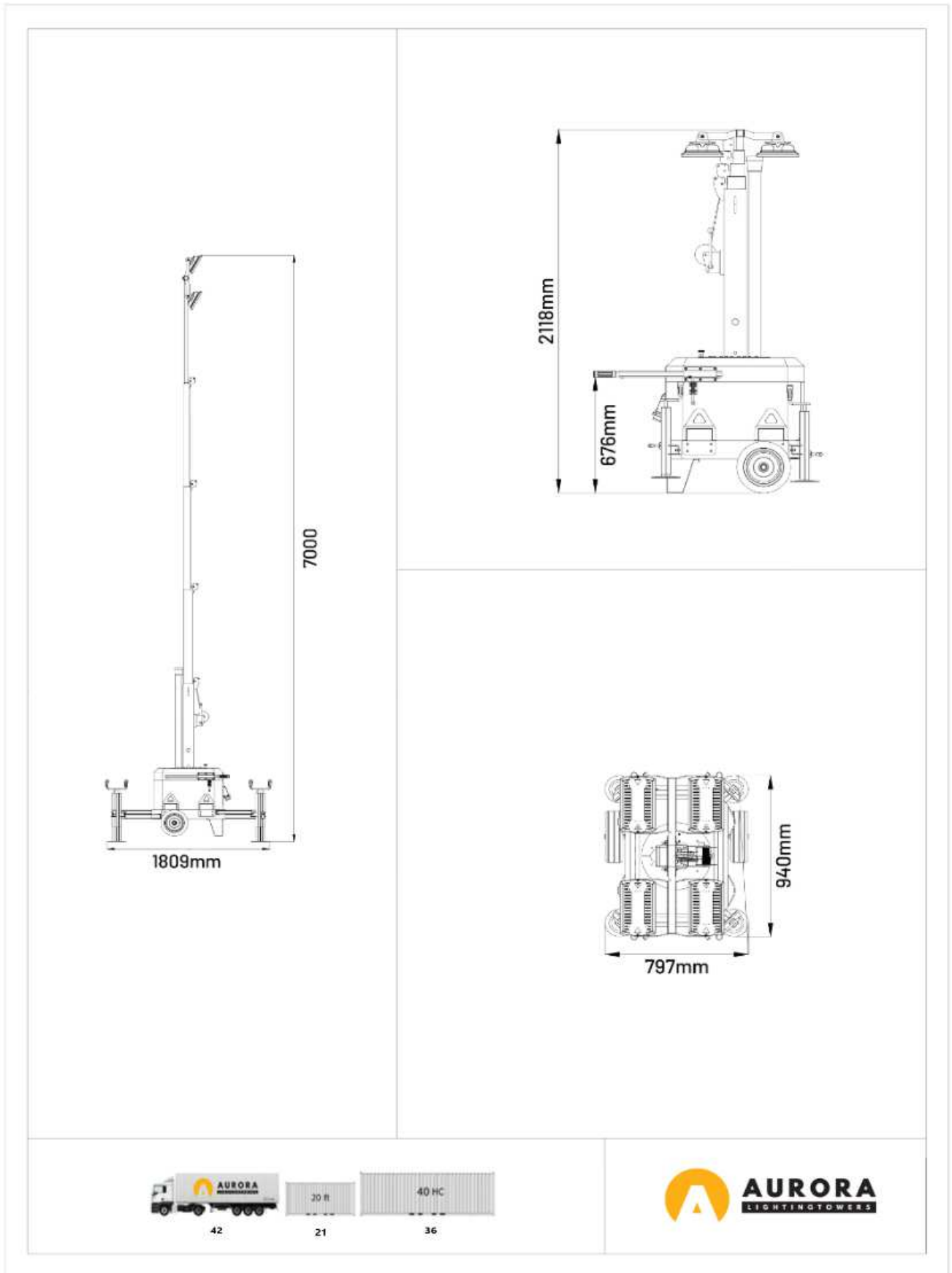
AURORA
LIGHTING TOWERS

AURORA LIGHTING TOWERS
Brand of Green Power Systems srl
Loc. Maiano sn 61028
Sassocorvaro Auditore (PU)
Italia

MADE IN ITALY

P + 39 0722 726411
F + 39 0722 720092
W www.auroralightingtowers.it
E info@auroralightingtowers.it
W www.eptagruppo.com

DISEGNI - DRAWS - DESSINS



- Le specifiche tecniche sono soggette a variazioni senza preavviso
- The technical specifications are exposed to alterations without notice
- Nous nous réservons le droit de changer les spécifications techniques sans préavis