

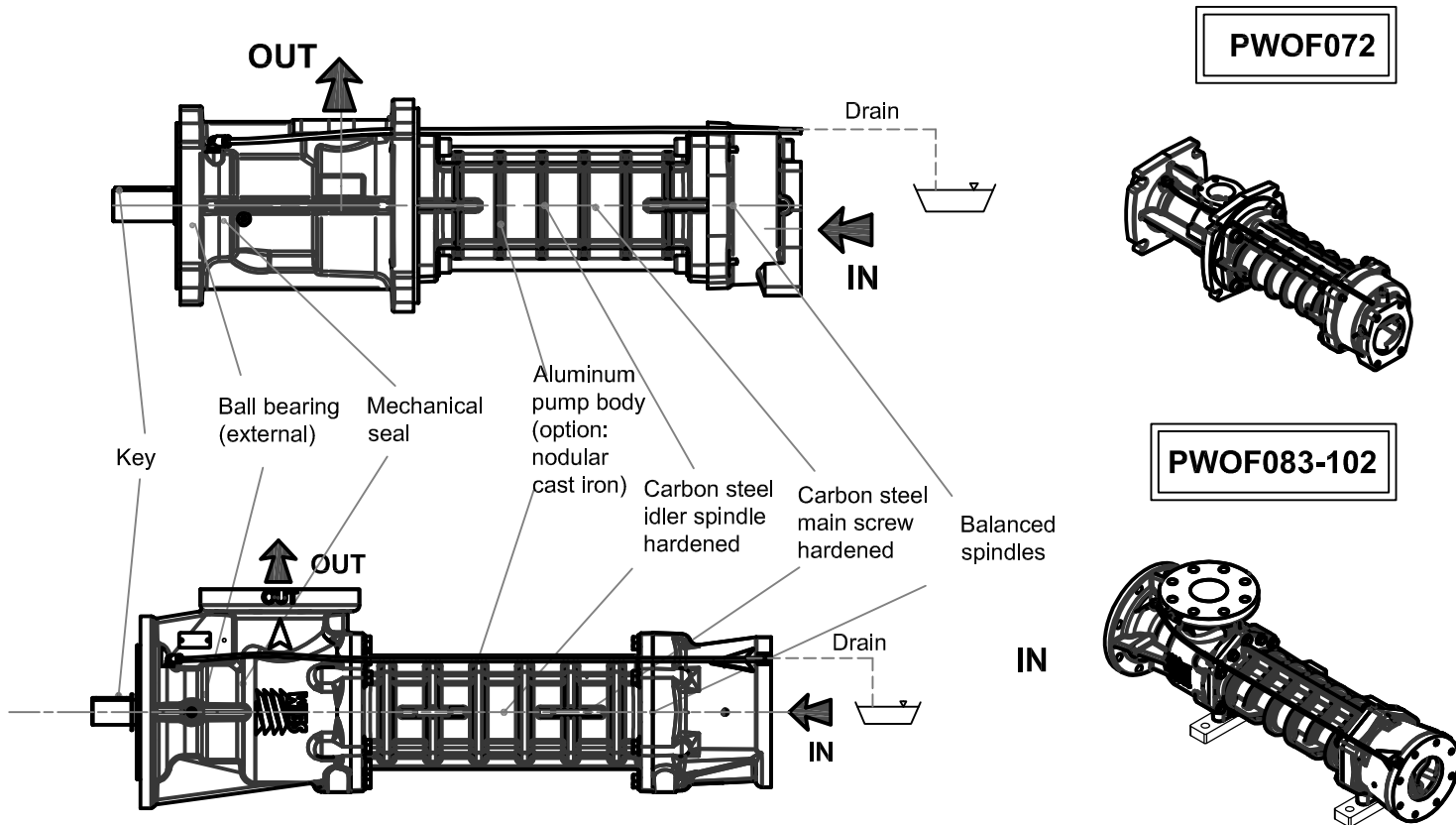
Screw pumps PWO

For hydraulic oils, lubricating oils. (LFO;HFO if nodular cast iron case)
 Admissible delivery pressure (continuous) = up to 100 bar (1450 psi).
 (Admissible delivery pressure (continuous) with LFO,HFO contact SEIM)



Main field of applications

General purpose high pressure.



Functional characteristics standard version

Delivery flow	up to 1700 l/min (up to 450 USGPM)	
Admissible delivery flow *	up to 100 bar (1450 psi)	
Admissible suction pressure	-0,5 to 10 bar (-7,3 to 145 psi)	For different values contact SEIM
Kinematic viscosity	10 to 400 cSt	
Admissible temperature	0 to 100 °C (32 to 212 °F)	For different values contact SEIM
Driving speed	up to 1750 rpm (depending NPSH)	
Average noise level	60 - 75 dB(A) at 2900 rpm depending to pump size	
Recommended filtration	ISO 4406 19/16 - NAS 10	
Direction of rotation	clockwise, as seen from the driving side	

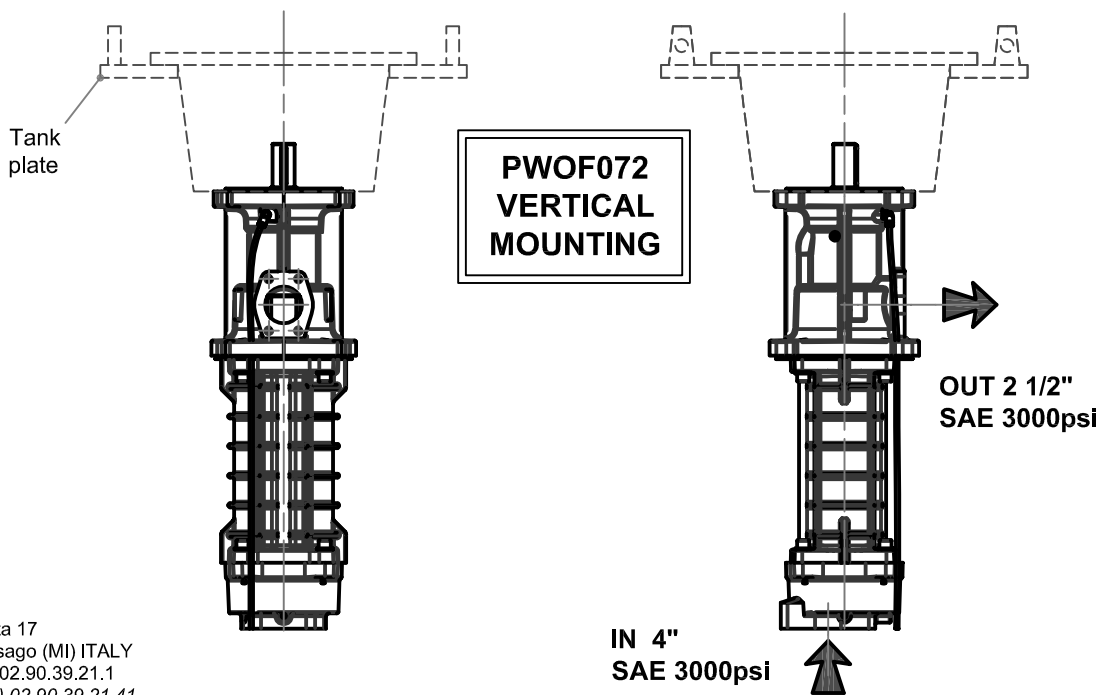
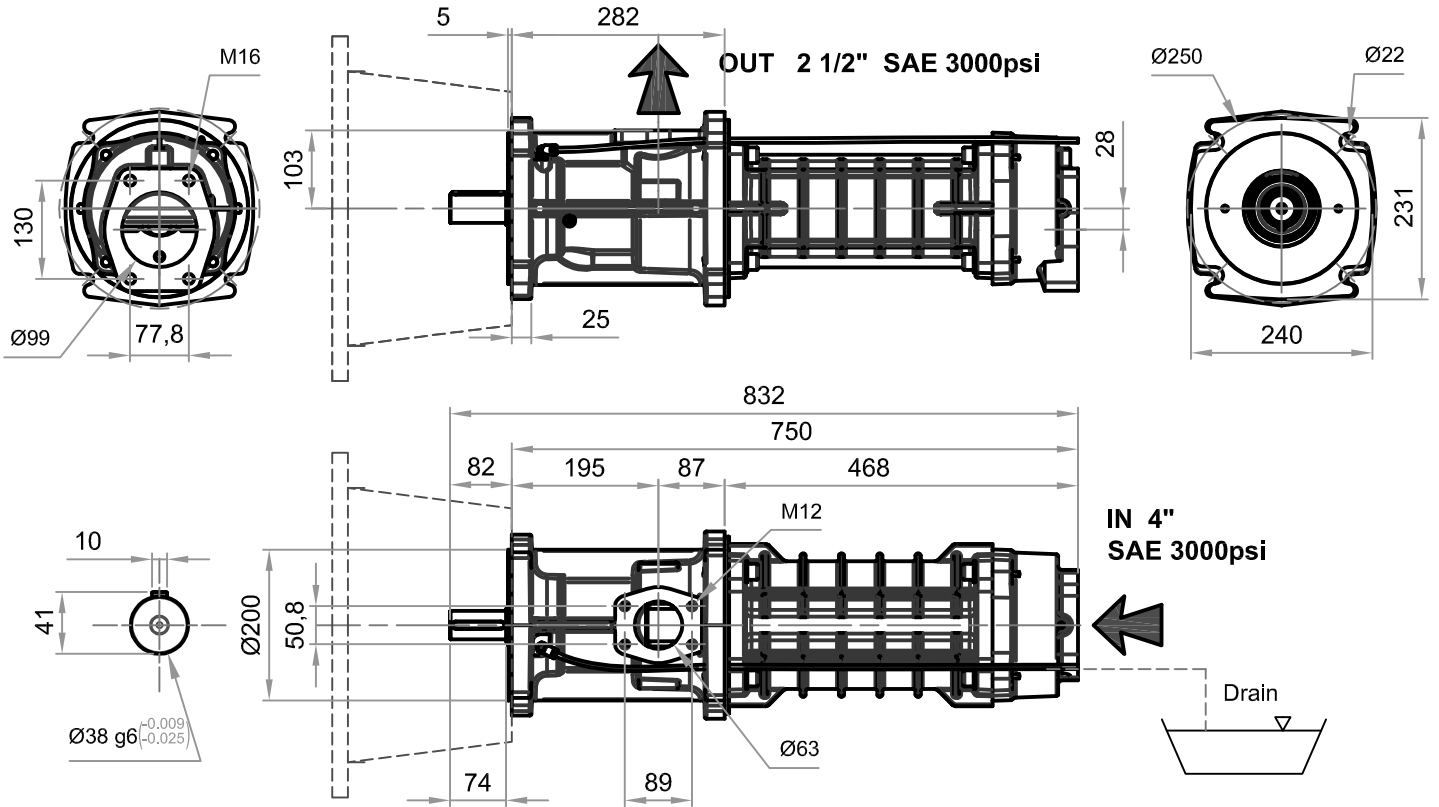
* Reduced pressure limit apply due to fluid viscosity and driving speed.
 Consult performance charts for the individual pump size.
 For different functional characteristics, please contact our sales department.

Screw pumps PWO

For hydraulic oils, lubricating oils. (LFO;HFO if nodular cast iron case)
 Admissible delivery pressure (continuous) = up to 100 bar (1450 psi).
 (Admissible delivery pressure (continuous) with LFO,HFO contact SEIM)



PWOF072 (HORIZONTAL MOUNTING)



SEIM srl
 Via A. Volta 17
 20090 Cusago (MI) ITALY
 Tel. (+39) 02.90.39.21.1
 Fax. (+39) 02.90.39.21.41
 e-mail: seim@seim.it

SEIM reserves the right to introduce dimensional changes or variation to the products of this technical data.

www.seim.it

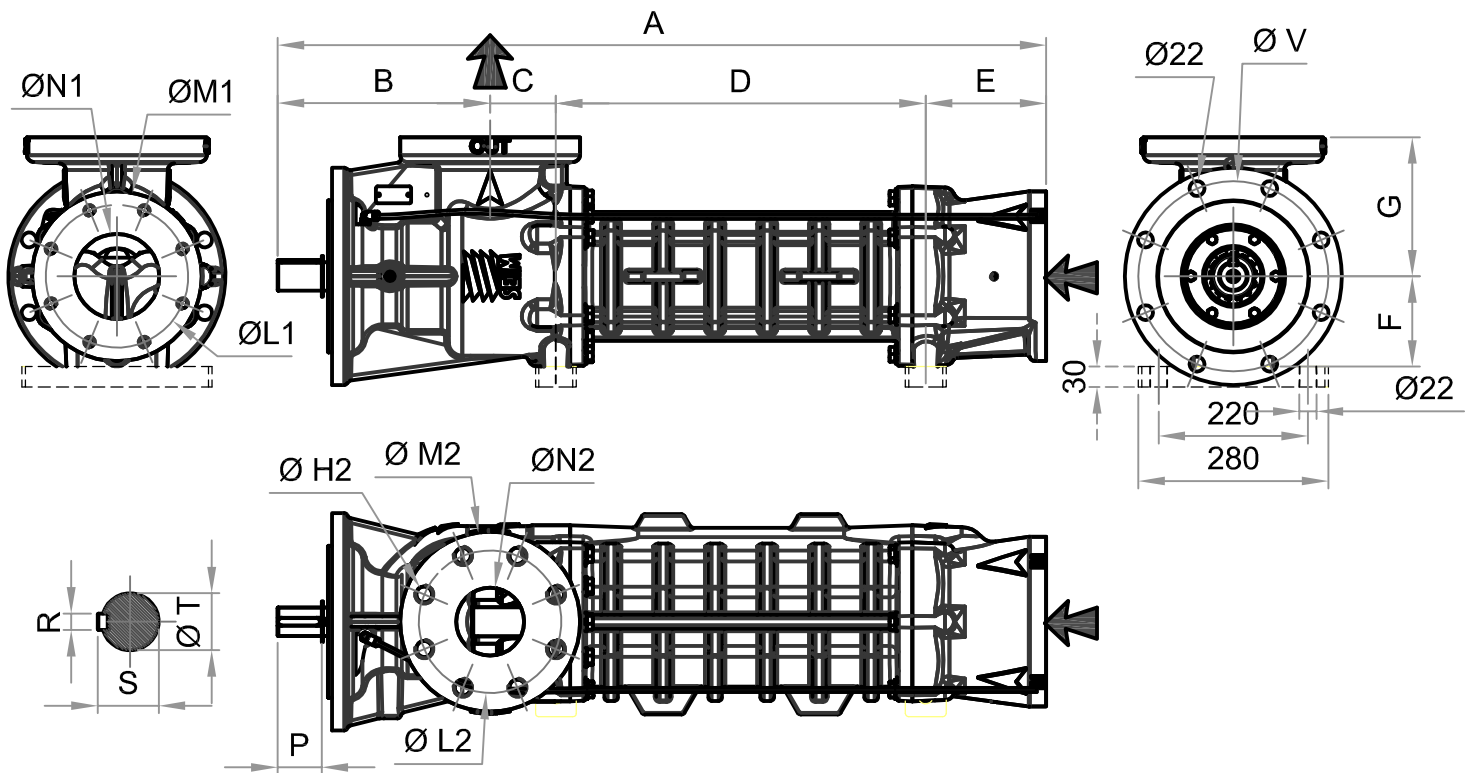
STE - PWOF - ENG - 01-2020 - 0

Screw pumps PWOFF

For hydraulic oils, lubricating oils. (LFO;HFO if nodular cast iron case)
 Admissible delivery pressure (continuous) = up to 100 bar (1450 psi).
 (Admissible delivery pressure (continuous) with LFO,HFO contact SEIM)



PWOF083 ONLY HORIZONTAL MOUNTING



Dimensional chart (mm)

MODEL	A	B	C	D	E	F	G	IN	OUT	Ø H1	Ø L1	Ø M1	Ø N1	Ø H2	Ø L2	Ø M2	Ø N2	P	R	S	Ø T	Ø V
PWOF083	1132.5	313	97	545	177.5	133	205	DN125 PN16	DN100 PN100	M16	210	250	125	M27	210	265	100	65	12	45	42	280

SEIM srl
 Via A. Volta 17
 20090 Cusago (MI) ITALY
 Tel. (+39) 02.90.39.21.1
 Fax. (+39) 02.90.39.21.41
 e-mail: seim@seim.it

www.seim.it

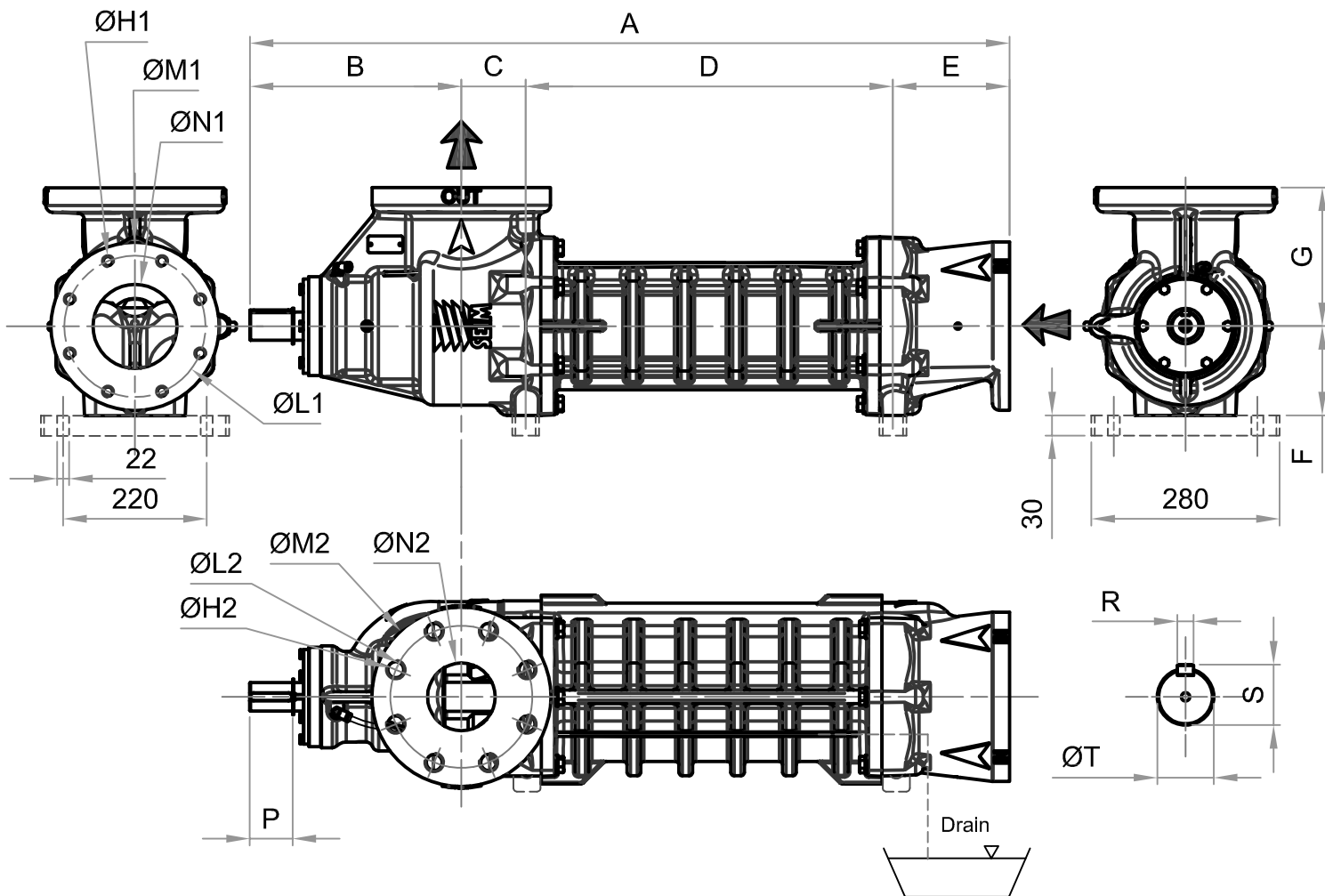
SEIM reserves the right to introduce dimensional changes or variation to the products of this technical data.

Screw pumps PWOFF

For hydraulic oils, lubricating oils. (LFO;HFO if nodular cast iron case)
 Admissible delivery pressure (continuous) = up to 100 bar (1450 psi).
 (Admissible delivery pressure (continuous) with LFO,HFO contact SEIM)



PWOFF102 ONLY HORIZONTAL MOUNTING



Dimensional chart (mm)

MODEL	A	B	C	D	E	F	G	IN	OUT	Ø H1	Ø L1	Ø M1	Ø N1	Ø H2	Ø L2	Ø M2	Ø N2	P	R	S	Ø T
PWOFF102	1352	379	91	660	223	155	220	DN150 PN16	DN125 PN100	M20	240	285	150	M30	250	315	125	80	16	56	52

SEIM srl
 Via A. Volta 17
 20090 Cusago (MI) ITALY
 Tel. (+39) 02.90.39.21.1
 Fax. (+39) 02.90.39.21.41
 e-mail: seim@seim.it

www.seim.it

SEIM reserves the right to introduce dimensional changes or variation to the products of this technical data.